

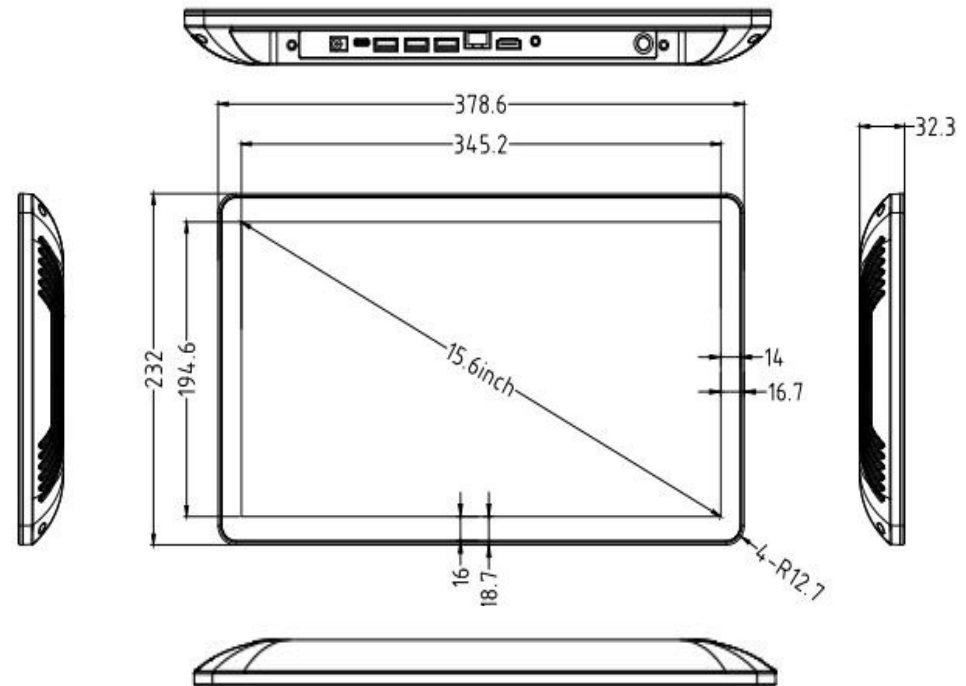
TouchWo®

15.6inch JD156B



จอแสดงผลแบบสัมผัส Touchscreen Monitor

- New casting mold design
- Corrosion and oxidation resistance
- Thickness only 27mm Optical bonded PCAP
- Stylish Appearance
- Full Aluminum Chassis
- Wall mounted/desktop stand/embedded etc
- Surface IP65 waterproof



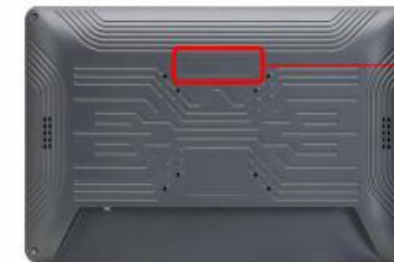
CE FC RoHS

คุณลักษณะผลิตภัณฑ์

LCD Panel	Screen diagonal	15.6 inch	Touch Panel	Touch technology	PCAP
	Physical resolution	1920*1080		Response time	<5ms
	Aspect ratio	16:09		Touch points	10 points standard
	Display active screen size (mm)	344 (W) *194 (H)		Touch effective recognition	>1.5m
	Colours displayed	16.7M		Scanning Frequency	200Hz
	Brightness (cd/m2)	250		Scanning accuracy	4096 * 4096
	Contrast	800:1		Working Current/Voltage	180Ma/DC+5V±5%
	Visual Angle H/V (°)	175/175		Surface Hardness	Mohs class 7 explosion-proof glass
	Backlight Lifetime (hours)	LED 15,000			
Refresh Rate	60 Hz				
Operation Environment	Operation Temperature	0°C-50°C	Dimension	Machine(cm)	37.67 (W) ×23.01 (H) ×2.7 (T)
	Operation Humidity	10% - 80%		Package(cm)	52.5 (W) ×31.5 (H) ×10.5 (T)
	Storage Temperature	-5°C-60°C		Net weight	1.68k g
	Storage Humidity	10% - 85%		Gross weight	2.41k g

พอร์ตการเชื่อมต่อ

Power supply parameters	Power Input	110-240V AC 50/60Hz	Manual	* 1	
	Power Output	DC 12V3A	Wall mount bracket	* 1	
	Standby power consumption	≤0.5W	Included in the Delivery	Power Adapter&cable	* 1
	Overall power consumption	<25W			



customize logo
(100 เครื่องขึ้นไป)

USB	* 1	HDMI out	* 1	Audio in&out	* 1	VGA	* 1
Power Socket	* 1						

ตัวอย่างการนำไปใช้งาน

