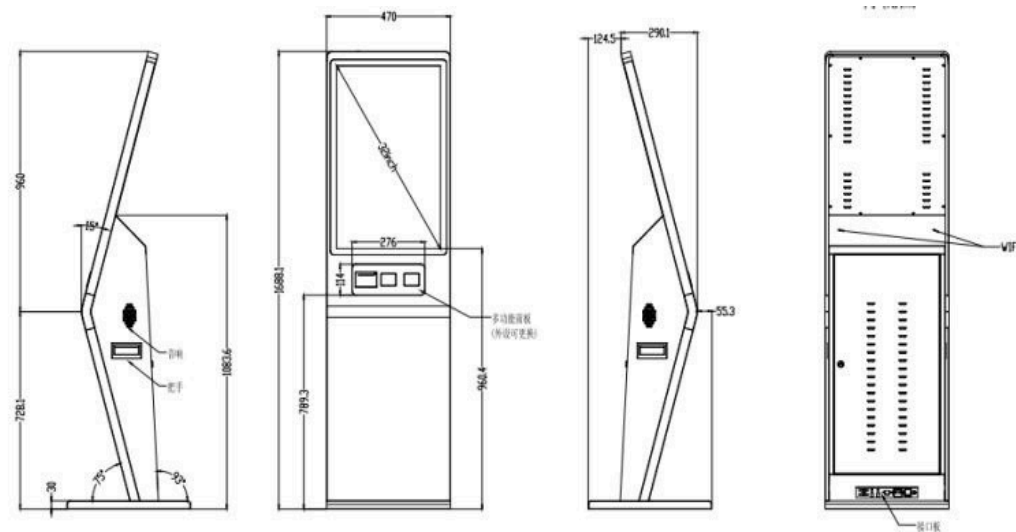
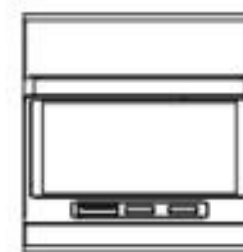
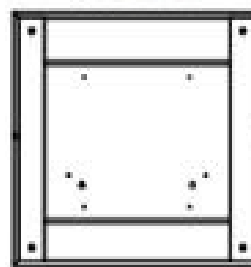


Views & Dimensions



仰视图



Features

- 24/7 Commercial Use
 - Industrial-grade Power Supply
 - 30,000-hours extended life LCD display
- Android / Windows Optional
 - Android 11 default, High-end spec optional
 - Latest Celeron J6412 default
 - i5 12Gen Optional
- Free Customization
 - Multiple peripheral configurations available
 - Integrate your own POS terminal
- Easy Mobility or Floor Mount
 - Optional wheels for easy mobility
 - Optional with pre-drilled holes for floor mounting



Tech Specs

Optional

CPU	Intel Celeron® J6412	Intel® Core™ i5-8Gens	Intel® Core™ i7-10Gens
Graphic GPU	Intel® UHD Graphics	Intel® Iris® Plus Graphics 645	Intel® UHD Graphics
Audio	HD Audio: ALC269	HD Audio: ALC269	HD Audio: ALC269
Memory	DDR4 -2666MHz -SODIMM -4G	DDR4-2666MHz-SODIMM-8G	DDR4-2666MHz-SODIMM-16G

PC System- Windows

Storage	m SAT A - 128GB	mSATA-256GB	mSATA-512GB
Network	10/100/1000M RJ45, 802.11a/b/g/n/ac Wifi	10/100/1000M RJ45, 802.11a/b/g/n/ac Wifi	10/100/1000M RJ45, 802.11a/b/g/n/ac Wifi
Pre-installed OS	Windows 10 /11/Linux	Windows 10 /11/Linux	Windows 10 /11/Linux

LCD Panel

Screen diagonal	32 inch
Physical resolution	1920*1080
Aspect ratio	16:09
Display active screen size (mm)	698.4 (W) *392.85 (H)
Colours displayed	16.7M
Brightness (cd/m2)	300
Contrast	4000:1
Visual Angle H/V (°)	175/175
Backlight Lifetime (hours)	LED 30,000
Refresh Rate	60 Hz

Touch Panel

Touch technology	PCAP
Response time	<5ms
Touch points	10 points standard
Touch effective recognition	>1.5m m
Scanning Frequency	200Hz
Scanning accuracy	4096 * 4096
Working Current/Voltage	180Ma/DC+5V ±5%
Surface Hardness	Mohs class 7 explosion-proof glass

Operation Environment

Operation Temperature	0°C-50°C	Dimension	Machine(cm)	47 (W) * 168.81 (H) *469.9 (T)
Operation Humidity	10% - 80%		Package(cm)	50 (W) * 190 (H) *56 (T)
Storage Temperature	-5°C - 60°C		Net weight	23.3 kg
Storage Humidity	10% - 85%		Gross weight	36 kg

Power supply parameters

Power Input	110-240V AC 50/60Hz	Connectors	RJ45 Ports	*1
Power Output	DC 12V4A		Power Socket	*1
Standby power consumption	≤0.5W		USB 2.0	*2
Overall power consumption	Android <65W, *86<95W			

Included in the Delivery

Manual	*1
WIFI antenna	*1
Key	*2
AC Power cable	*1

Peripherals

The KD215B Kiosk comes equipped with a high-speed thermal printer, a QR code scanner, and an RFID card reader. Its versatile design allows for compatibility with a wide range of peripherals, and the option to customize with or without specific devices. With a short customization period ranging from 7 to 35 days, delivery can be completed efficiently.



Thermal Printer		MS-E801
Model	Printing	250MM/S(MAX)
Speed	Printing	72MM
Width	Paper	80MM (MAX)
Width		576dots/line
Resolution		Dia 80MM(MAX)
Paper Roll Paper		Auto Cut
Cut		
Barcode Scanner		
Model	Resolution	EMT 8020
Recognition	Accuracy	640*480 COMS
Field of View	2D	5mil
Codes	1D Codes	Horizontal 68°, Vertical 51°
		PDF417, QR Code, DataMatrix, etc
		Code 128, EAN-13, EAN-8, Code 39, etc
RFID card reader		
Model		M11
Frequency:		IC Mifare1/; CPU/TypeA; 14443A
Protocols:		IC/ID
Supported Cards:		80MM (MAX)
Functions:		Read/Write IC cards, Read ID cards

More Options for customization



Fingerprint Sensor



Metal Keyboard



Card Dispenser



Payment terminal



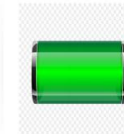
Camera



NFC - Payment



4G LTE



Battery-UPS

Use Case

