

Fanless Mini Computer with Intel® Celeron® J1900 Processor, 1x DVI-I, 2x COM



Features

- Intel® Celeron® processor J1900, up to 2.0GHz
- 1x 204-pin DDR3L SODIMM. max up to 8GB
- Dual independent display supported by 1x DVI-I
- 2x Intel® GbE supporting Wake-on-LAN and PXE
- 1x mSATA
- 2x full-size mini PCIe for communication or expansion module
- 1x SIM socket
- 2x RS-232/422/485, 1x USB 3.0, 3x USB 2.0
- 9 to 30VDC wide range power input supporting AT/ATX mode
- -20°C to 50°C extended operating temperature

Specifications

System

Processor

Intel® Celeron® Processor J1900, Quad Core, 2MB Cache, 2.0 GHz

System Chipset SoC integrated

LAN Chipset GbE1: Intel® I210-AT
(Support Wake-on-LAN and PXE)

Audio Codec Realtek ALC888S

System Memory 1x 204-Pin DDR3L 1066/1333MHz SODIMM.
Max. up to 8 GB

BIOS AMI 64Mbit SPI BIOS

Watchdog Software Programmable Supports 1~255 Sec. System Reset

Display

DVI 1x DVI-I

Multiple Display Dual Display

VGA Yes (by optional split cable)

Storage

mSATA 1x mSATA (shared by 1x Mini PCIe)

SIM Socket 1x External SIM Socket

Expansion

Mini PCIe 1x Full-size Mini PCIe Socket with USIM Socket (PCIe + USB + SATA)

1x Full-size Mini PCIe Socket (PCIe + USB)

I/O

Audio 1x Mic-in, 1x Line-out

COM 2x RS-232/422/485

LAN 2x RJ45

USB 1x USB 3.0, 3x USB 2.0

Others 3x WiFi Antenna Holes

1x Power Switch,

1x AT/ATX Switch

Operating System

Windows Windows 10, Windows 7, WES7

Linux Linux kernel 3.X

Power

Power Adapter Optional AC/DC 12V/5A, 60W

Power Mode AT, ATX

Power Supply Voltage 9~30 VDC

Power Connector 3-pin Terminal Block

Power Protection Over Voltage Protection (OVP)

Environment

Operating Temperature -20 °C to 50 °C

Storage Temperature -30 °C to 70 °C

Relative Humidity 10% to 95% (non-condensing)

Vibration with SSD: 5 Grms, 5 - 500 Hz, 0.5 hr/axis
with HDD: 1 Grms, 5 - 500 Hz, 0.5 hr/axis

Shock with SSD: 50G, half sine, 11ms

Physical

Dimensions 142 (W) x 101 (D) x 30 (H) mm

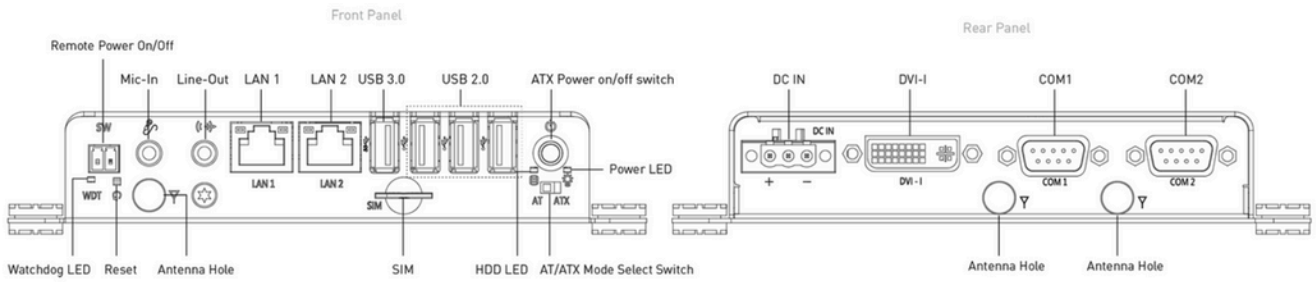
Weights 0.46kg

Construction Fanless Design

Mounting Options Wall Mounting

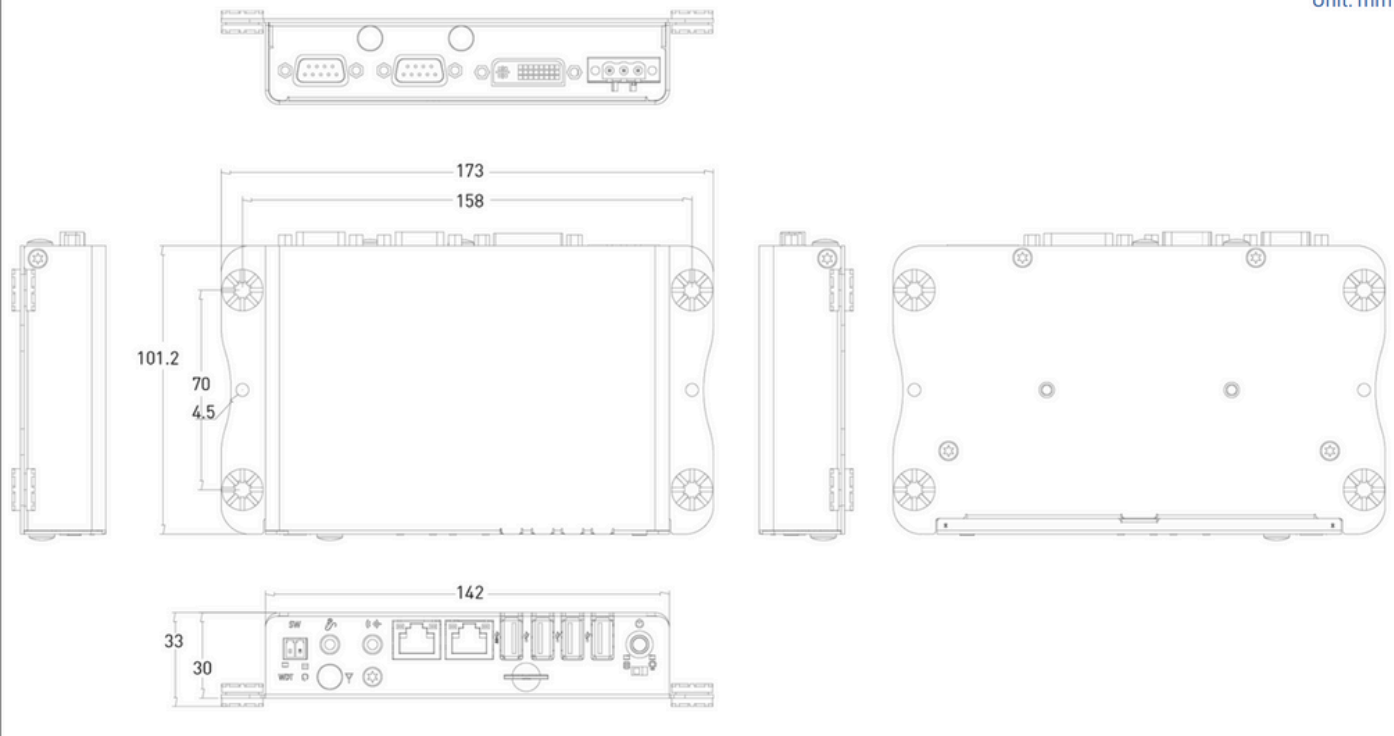


External I/O Mechanical Layout



Dimension

Unit: mm



Available Models

Model No.	Description
BCO-1000-J1900	Basic Fanless Embedded System with Intel® Celeron® J1900 Processor, 1x DVI-I, 2x COM

Optional Accessories

Model No.	Description
1-E09A06008	Adapter AC/DC 12V 5A 60W with 3pin Terminal Block Plug 5.0mm Pitch
SFICBL022	Power Cord, 3-pin US Type, 180cm
1-TPCD00002	Power Cord, European Type
1-TPCD00001	Power Cord, 3-pin UK Type, 180cm
3-DINR-0003	DIN-Rail Mount Kit

Packing List

- 1x BCO-1000 Series Embedded System
- 1x Accessory Kit
- 1x DVI to VGA Adapter

