

# SPC-W1762A

## 17.3inch Industrial Panel PC



### Features

- Aluminum die-casting chassis, fanless design
- Wireless Design
- 17.3 inch LED TFT LCD, capacitive touch
- Intel Celeron J1900 2.0-2.42G CPU
- 3\*COM, 2\*LAN, 3\*USB2.0, 1\*USB3.0
- AT & ATX Model
- Front Panel IP65 Level

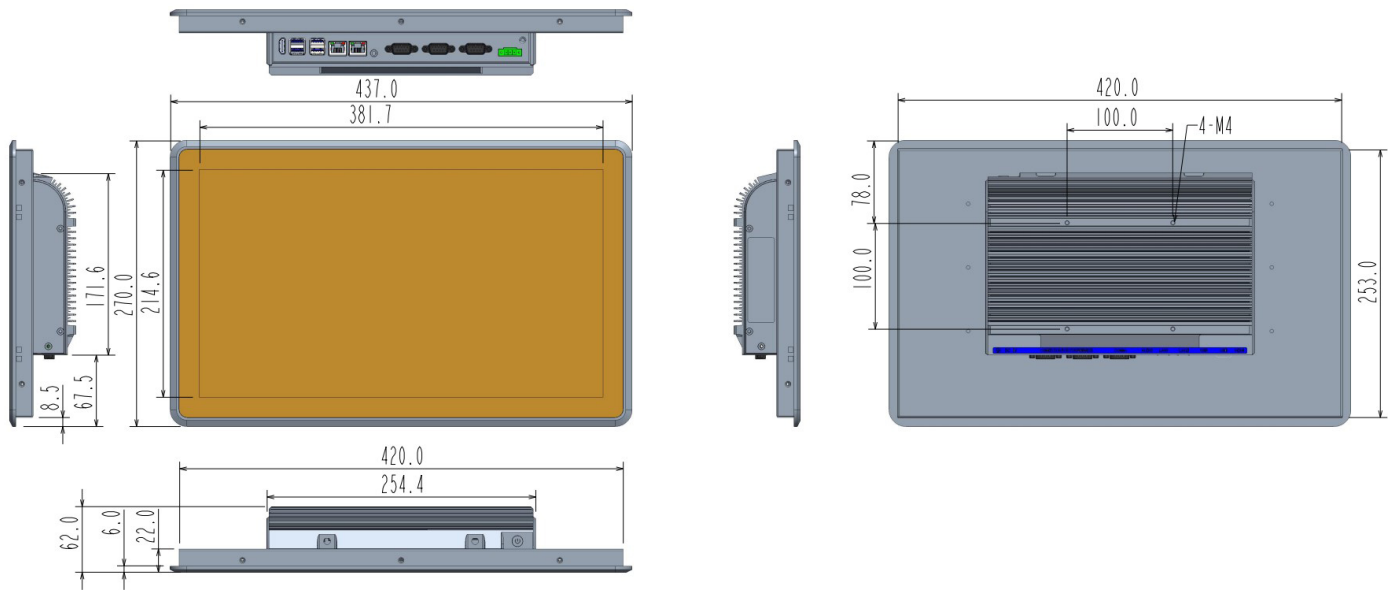


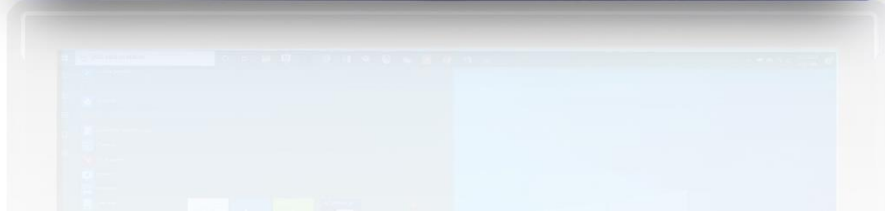
SPC-W1762A is an intelligent, fanless panel PC, 17.3" Panel PC equipped with an Intel® Bay Trail processor. Meeting the demands of harsh environments, in addition, the dual GbE LAN, 3 x serial ports, 4 x USB ports, make device connection and integration easy.

### Specifications

<b>Processor</b>	CPU	Intel Baytrail-D Celeron J1900, 2.0~2.42GHz, 4cores, 4threads, 2M cache, 22nm,TDP 10W	
	Cooling System	Fanless	
	Memory	Single Socket, 4GB-8GB DDR3L	
	Storage	1*mSATA SSD Full Size	
	I/O ports		3xUSB2.0+1xUSB3.0, Type-A
			COM: 3xRS232, DB9
			Display: 1xHDMI (1920*1200 @30Hz)
			Audio: 1×Mic-in, 1x Line-out
Network(LAN)		Expansion: MINI-PCIE	
<b>Input Voltage</b>	Input Voltage	12V DC ( 3 Pin Aviation Connector) , optional 9V-36V DC	
	Control SW/LED	Power Button, AT & ATX Model	
<b>LCD Display</b>	Display Type:	17.3inch TFT LED Panel( LED Backlight)	
	Max. Resolution:	1920x1080 / 4:3	
	Luminance(cd/m <sup>2</sup> )	300nits	
<b>Touchscreen</b>	Touch Type	Capacitive Touch	
<b>OS Support</b>	OS Support	Windows 7/ Windows 8/ Windows 10/ Linux	
<b>Environment</b>	Operating Temperature	-0°C ~ 50°C (extend temperature optional)	

	Storage Temperature	-10°C ~ 60°C (extend temperature optional)
	Front Panel Protection	IP65 compliant
<b>Mechanical</b>	Dimensions	(W*D*H): 437x270x62mm Mounting Cut out (W*H): 420x253mm
	Weight	6.5KG (N.W.)
	Color	Black
	Material	Aluminum
	Certification	CE / UL / RoHS







Packing List	Ordering Information
1x SPC-W1762A	SPC-W1762A: Projected Capacitive Touch Version
1x Driver CD	Operating Systems
1x Power Adapter	WIN7 32bit 64bit EN
Optional accessories	WIN8 32bit 64bit EN
VESA Bracket	WIN10 32bit 64bit EN
Power Cable 2-pin 200cm	Linux Ubuntu 12.04/16.04/18.04